

3050 MANOR COLLECTION GLASS AMENITY SHELF

MODERN TRANSITIONAL

sales@preferredbathinc.com

www.preferredbathinc.com

(336) 904-6248



MODERN GLASS AMENITY SHELF

- MODERN STYLING
- SUPERIOR STRONG MOUNTING SYSTEM
- TWO SCREWS INCLUDED FOR A STRONG SECURE INSTALLATION

PART NUMBERS

3050-PC

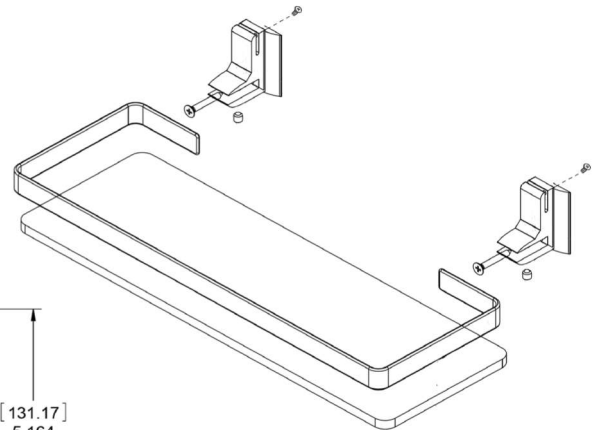
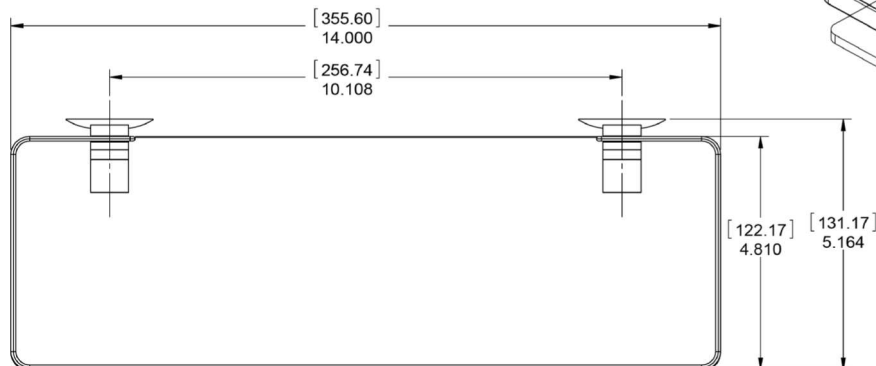
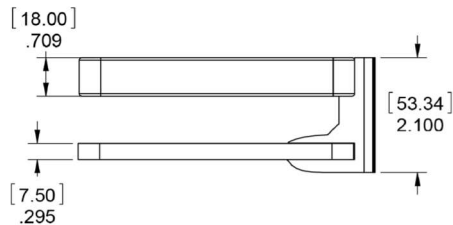
FINISH

POLISHED CHROME

HARDWARE INCLUDED

- 304 STAINLESS STEEL BAR - 1
- ZINC DIE-CAST WALL BRACKETS - 1
- GLASS BOTTOM - 1
- STAINLESS STEEL SET SCREWS WITH SILICONE PROTECTORS - 2
- STAINLESS STEEL MOUNTING SCREWS - 2
- WALL ANCHORS - 2

WALL MOUNTED



INSTALLATION:

Remove lower set screws (be sure not to lose silicon glass protectors in the set screws) Carefully remove the glass and expose the mounting bracket holes. Secure bracket and bar assembly to the wall. Insert glass into slot and tighten with set screw. (Do not over tighten)

WOOD BLOCKING IS THE PREFERRED METHOD OF INSTALLATION



Limited Warranty:

Preferred Bath Accessories Inc. warrants to the purchaser that the product will be free from defects in material and workmanship. If the product does not comply with this warranty, Preferred Bath Accessories Inc. will repair or replace the product or, at Preferred Bath Accessories Inc's. option, refund the purchase price. The limited warranty period is for the lifetime of the product. Limitations on the Warranty: The warranty does not cover, normal wear and tear, product abuse, neglect, improper installation or maintenance. Purchaser Requirements: If this product does not meet Preferred Bath Accessories Inc's. warranty, return the product (postage prepaid) to the place of purchase with proof of purchase and a written claim briefly describing the defect. You may be required to provide other information or evidence of the defect.